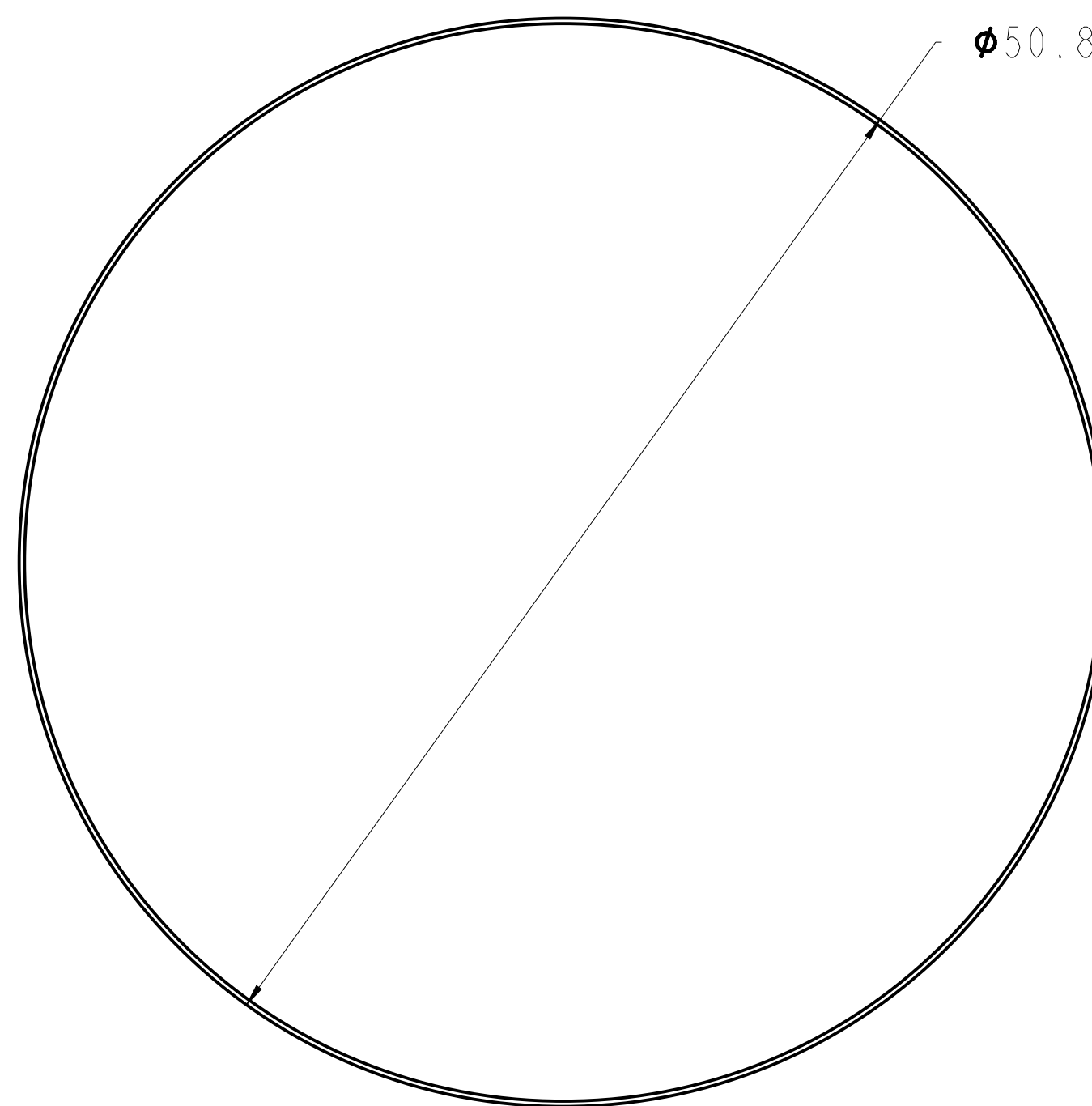


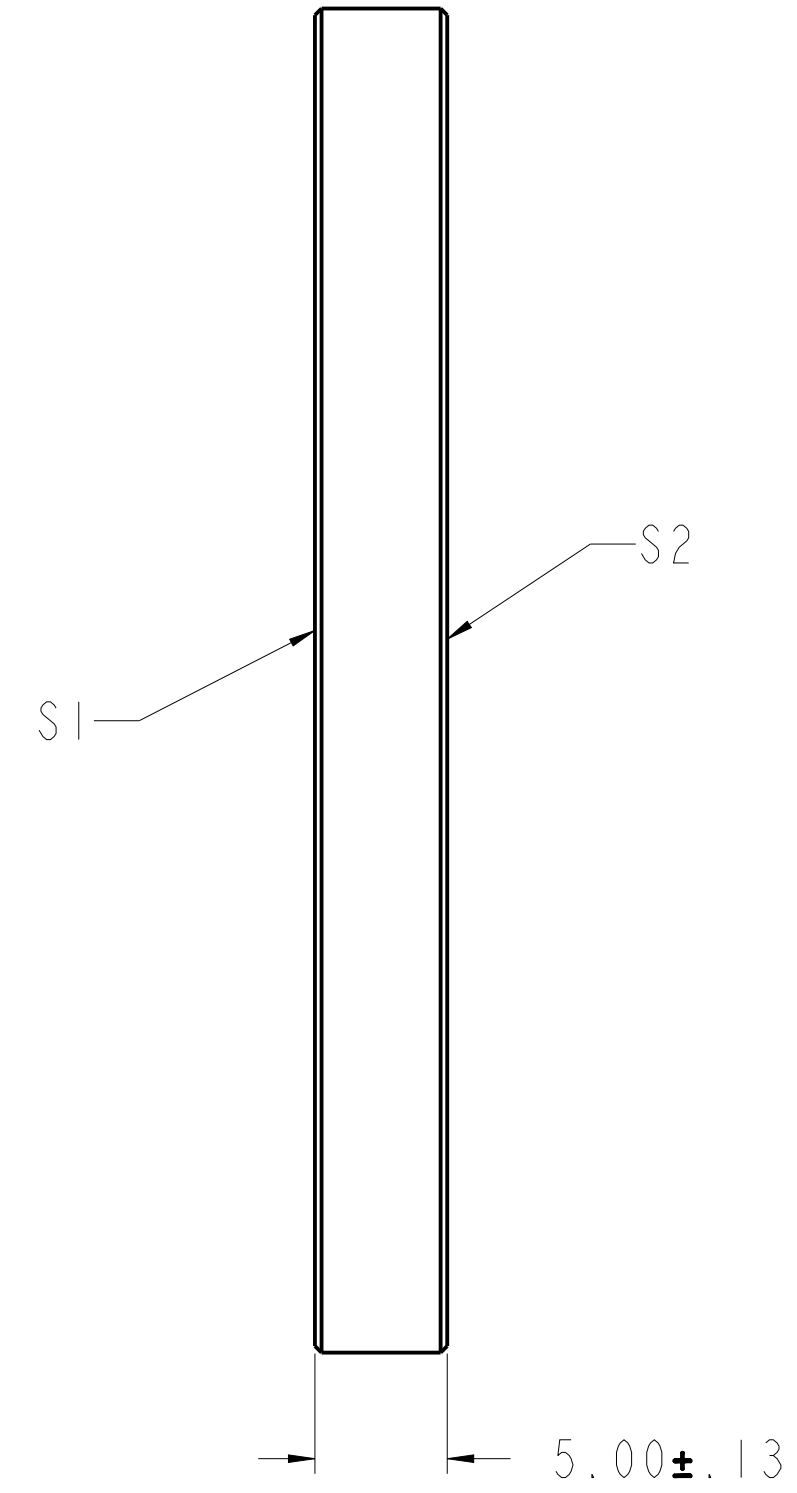
NOTES:

1. MATERIAL: Si
2. CLEAR APERTURE: 85%
3. PARALLELISM: (S1&S2) 3 ARC MIN
4. FLATNESS: (S1&S2) 2 WAVES @ 633 nm
5. SURFACE FINISH: (S1&S2) 60/40
6. COATED DLC-AR-SI-3-5

S1: DLC  
S2: AR



REVISION HISTORY				
REV	DCO	DESCRIPTION	DATE	INITIALS
A	6051	INITIAL RELEASE	12/27/19	YK



REFERENCE ONLY  
NOT FOR MANUFACTURING

UNLESS OTHERWISE SPECIFIED DIMENSIONS ARE IN MM. DECIMAL TOLERANCES ARE: .X ± 0.25 .XX ± 0.10 .XXX ± 0.025 .XXXX ± 0.013 ANGLES: ± 0.5°		 <b>ISPOPTICS</b> LightPath		PROPRIETARY INFORMATION THIS DOCUMENT CONTAINS PROPRIETARY INFORMATION OF LIGHTPATH TECHNOLOGIES AND IS NOT TO BE DISCLOSED OR REPRODUCED IN WHOLE OR PART, OR USED FOR MANUFACTURING FOR ANYONE OTHER THAN LIGHTPATH TECHNOLOGIES WITHOUT ITS WRITTEN CONSENT. NO RIGHT IS GRANTED TO DISCLOSE OR USE ANY INFORMATION CONTAINED IN SAID DOCUMENT.	
DRAWN BH		TITLE WINDOW - HDAR COATED Si - 50.8 X 5.0			
MATERIAL Si		SIZE A2	DWG NO HDAR35-SI-W-50-5 - CAT		REV A
SOFTWARE Pro/ENGINEER		SCALE: 3.50	THIRD ANGLE PROJECTION 		SHEET 1 OF 1

DWG NO HDAR35-SI-W-50-5