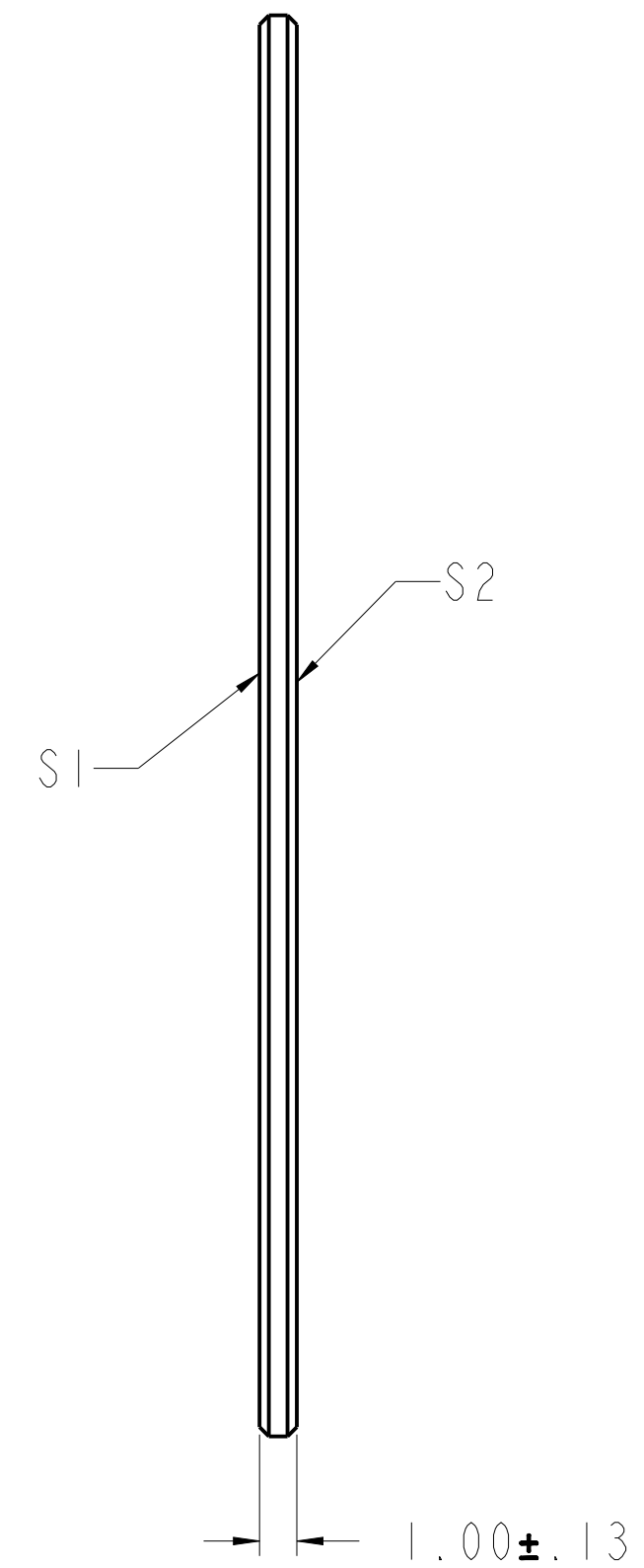
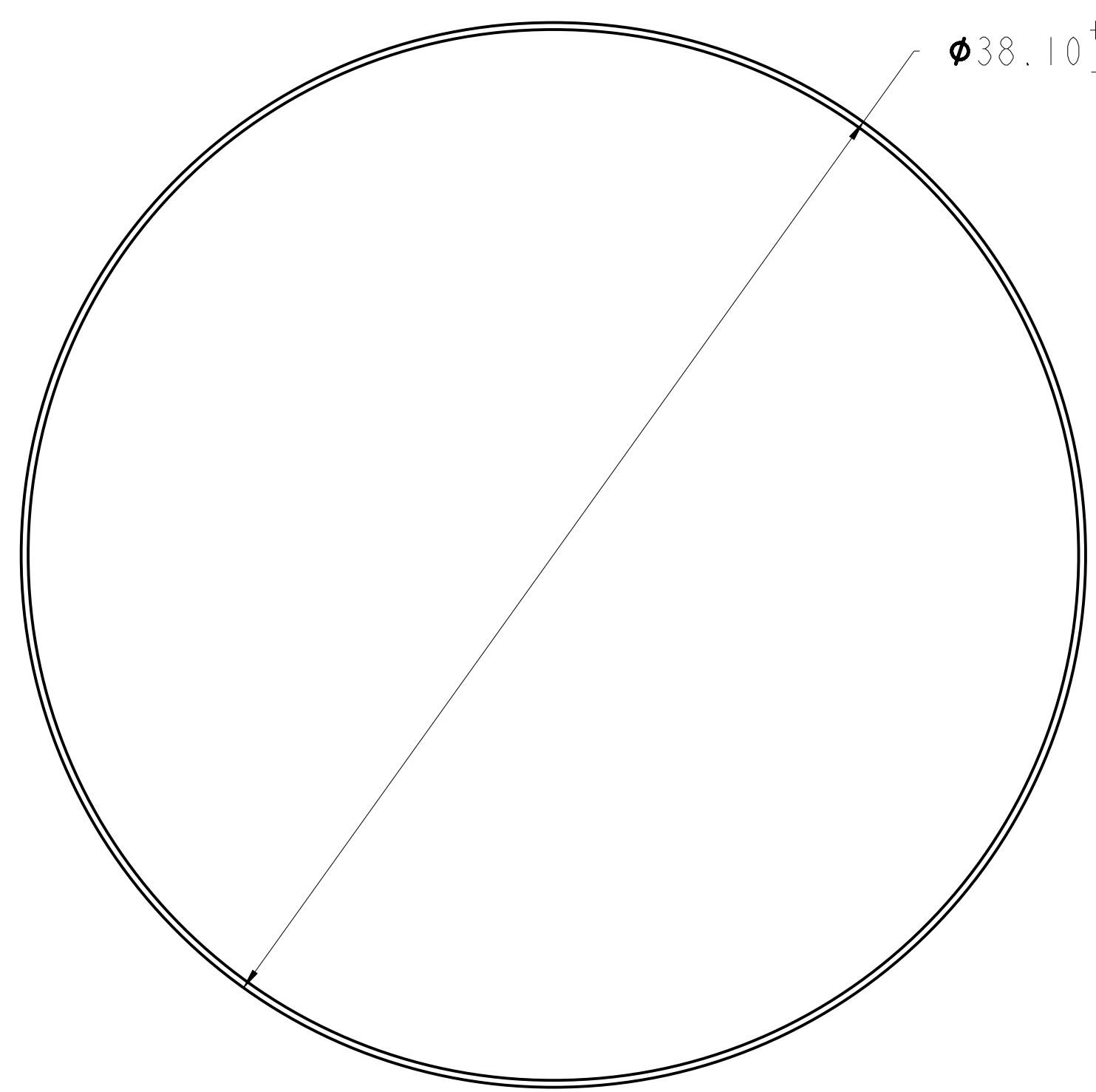



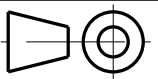
REVISION HISTORY				
REV	DCO	DESCRIPTION	DATE	INITIALS
A	6043	INITIAL RELEASE	12/12/19	YK

NOTES:

1. MATERIAL: Ge
2. CLEAR APERTURE: 85%
3. PARALLELISM: (S1&S2) 3 ARC MIN
4. FLATNESS: (S1&S2) 1/10 WAVE @ 10.6 μm
5. SURFACE FINISH: (S1&S2) 60/40
6. COATED: (S1&S2) BBAR 8-12 μm



REFERENCE ONLY
NOT FOR MANUFACTURING

UNLESS OTHERWISE SPECIFIED DIMENSIONS ARE IN MM. DECIMAL TOLERANCES ARE: .X ± 0.25 .XX ± 0.10 .XXX ± 0.025 .XXXX ± 0.013 ANGLES: ± 0.5°		 ISPOPTICS LightPath		<small>PROPRIETARY INFORMATION THIS DOCUMENT CONTAINS PROPRIETARY INFORMATION OF LIGHTPATH TECHNOLOGIES AND IS NOT TO BE DISCLOSED OR REPRODUCED IN WHOLE OR PART, OR USED FOR MANUFACTURING FOR ANYONE OTHER THAN LIGHTPATH TECHNOLOGIES WITHOUT ITS WRITTEN CONSENT. NO RIGHT IS GRANTED TO DISCLOSE OR USE ANY INFORMATION CONTAINED IN SAID DOCUMENT.</small>	
DRAWN BH		TITLE WINDOW - AR COATED Ge - 38.1 X 1.0			
MATERIAL Ge		SIZE A2	DWG NO AR812-GE-W-38-1 - CAT	REV A	
SOFTWARE Pro/ENGINEER		SCALE: 5.00	THIRD ANGLE PROJECTION 	SHEET 1 OF 1	

DWG NO
AR812-GE-W-38-