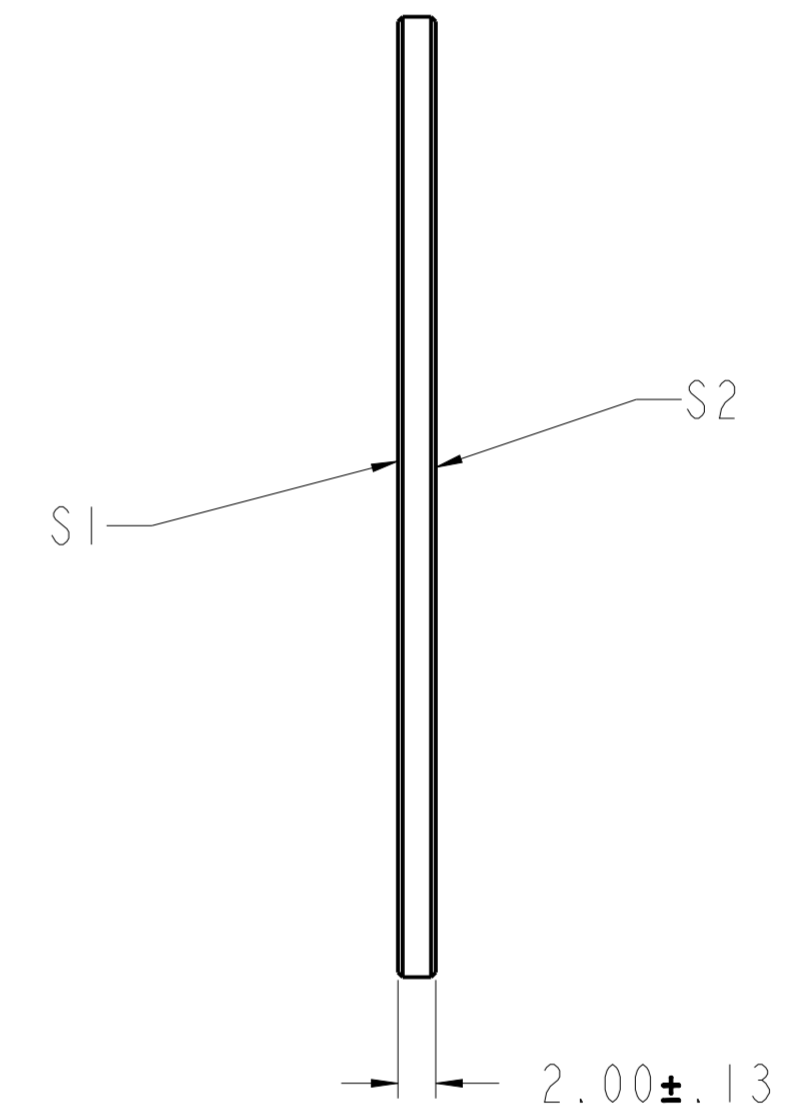
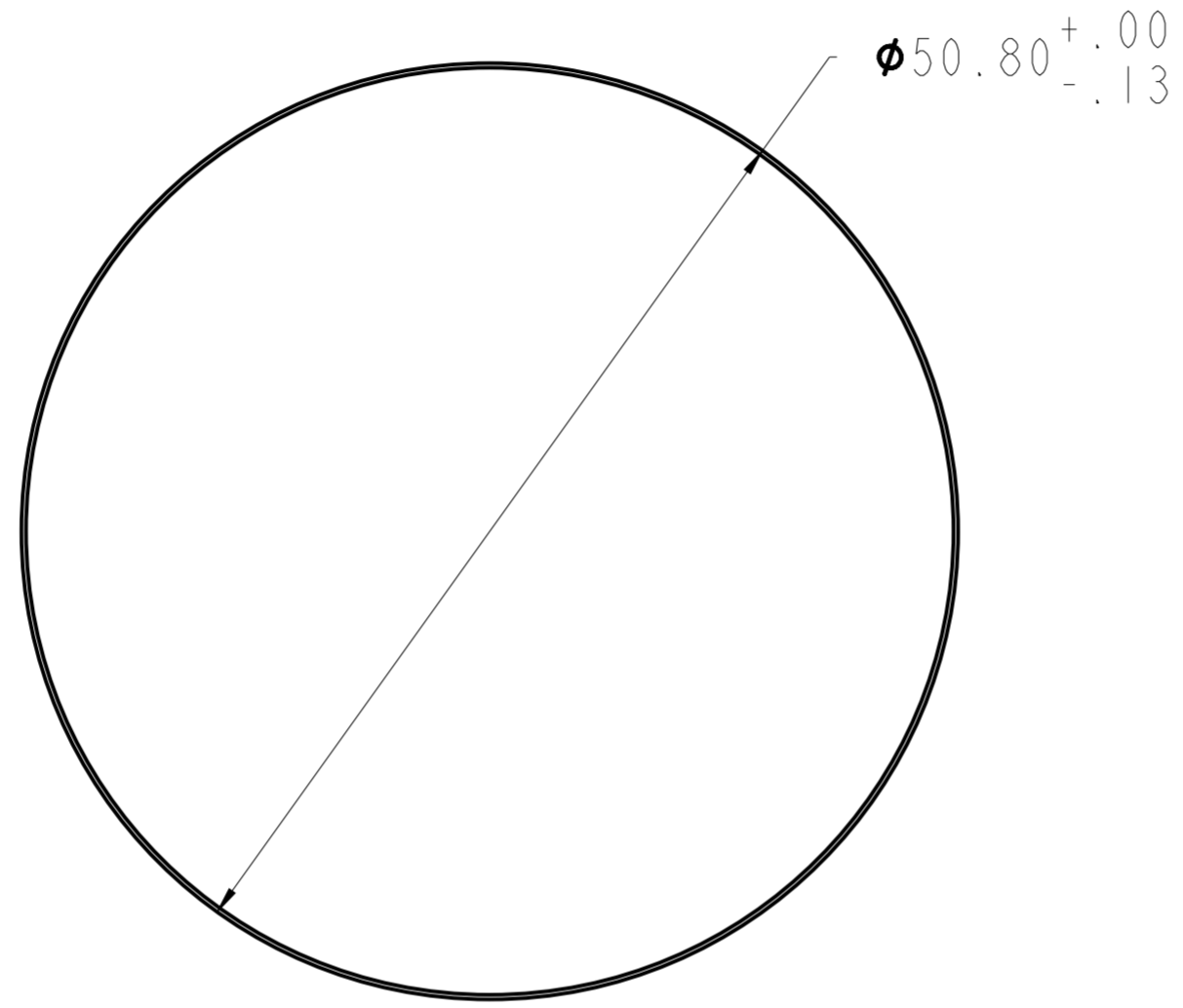


NOTES:

1. MATERIAL: CVD ZnSe
2. CLEAR APERTURE: 85%
3. PARALLELISM: (S1&S2) 3 ARC MIN
4. FLATNESS: (S1&S2) 1/20 WAVE @ 10.6 μm
5. SURFACE FINISH: (S1&S2) 60/40
7. COATING: (S1&S2) BBAR 2-13 μm,  
SEE SPECIFICATION LIST: 9001012  
SPECIFICATION TAKES PRIORITY

| REVISION HISTORY |      |                 |          |          |
|------------------|------|-----------------|----------|----------|
| REV              | DCO  | DESCRIPTION     | DATE     | INITIALS |
| A                | 5866 | INITIAL RELEASE | 11/25/19 | BH       |



REFERENCE ONLY  
NOT FOR MANUFACTURING

|  |  |                                     |                               |   |                 |
|--|--|-------------------------------------|-------------------------------|---|-----------------|
| UNLESS OTHERWISE SPECIFIED<br>DIMENSIONS ARE IN MM.<br>DECIMAL TOLERANCES ARE:<br>.X ± 0.25<br>.XX ± 0.10<br>.XXX ± 0.025<br>.XXXX ± 0.013<br>ANGLES: ± 0.5° |  |                                     |                               | PROPRIETARY INFORMATION<br>THIS DOCUMENT CONTAINS PROPRIETARY INFORMATION OF LIGHTPATH TECHNOLOGIES AND IS NOT TO BE DISCLOSED OR REPRODUCED IN WHOLE OR PART, OR USED FOR MANUFACTURING FOR ANYONE OTHER THAN LIGHTPATH TECHNOLOGIES WITHOUT ITS WRITTEN CONSENT. NO RIGHT IS GRANTED TO DISCLOSE OR USE ANY INFORMATION CONTAINED IN SAID DOCUMENT. |                 |
| DRAWN<br>BH\ORL  |  | TITLE<br>WINDOW - ZnSe - 50.8 x 2.0 |                               |   |                 |
| MATERIAL<br>ZnSe   |  | SIZE<br>A2                          | DWG NO<br>AR213-ZC-W-50-2-CAT |   | REV<br>A        |
| SOFTWARE<br>Pro/ENGINEER   |  | SCALE:<br>2.50                      | THIRD ANGLE PROJECTION<br>    |   | SHEET<br>1 OF 1 |

DWG NO  
 AR213-ZC-W-50-2